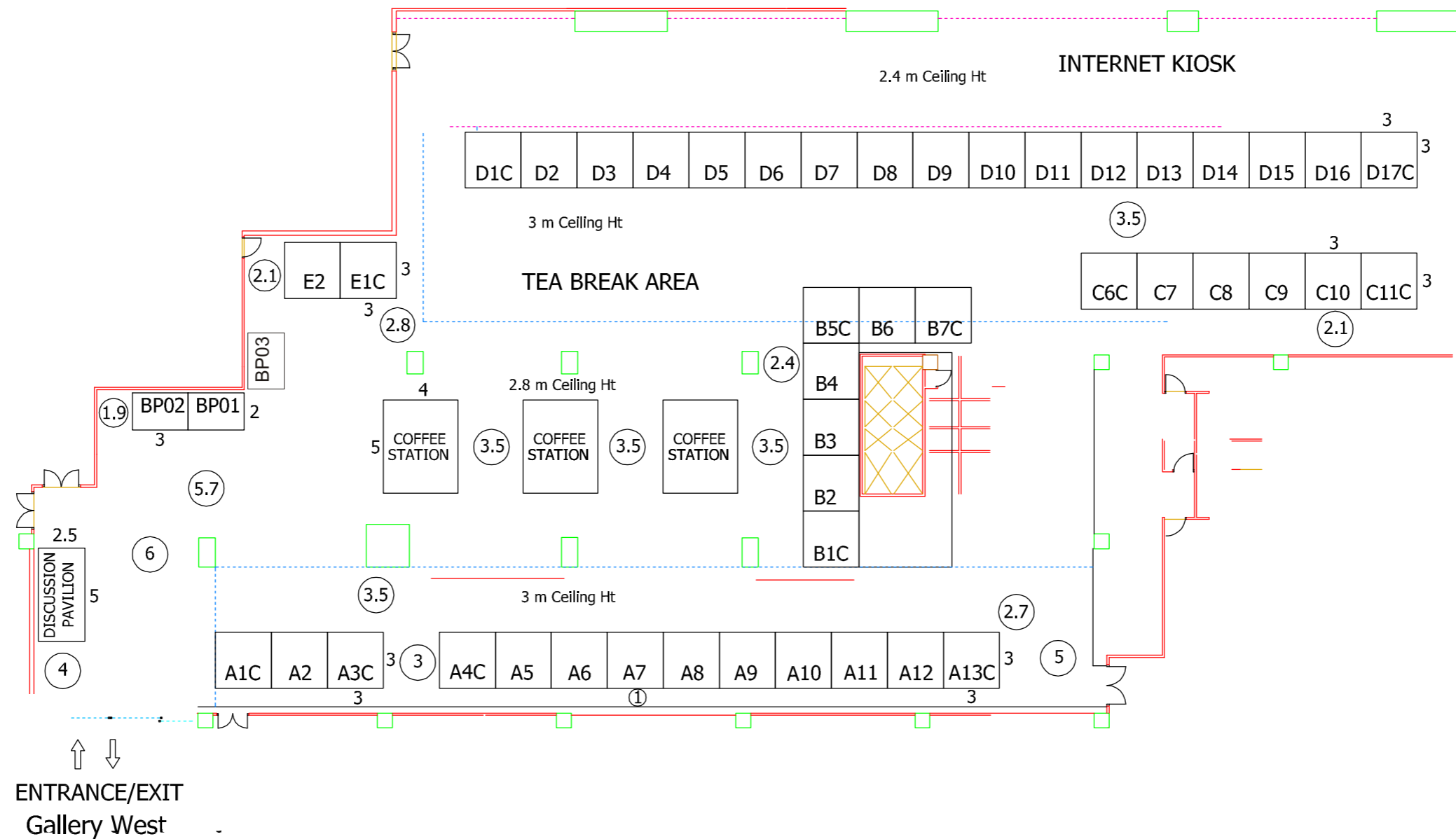


ICMAT 2009

29 June – 01 July 2009

Gallery, Level 3, Suntec Singapore



A Section	
Exhibitor	Booth No.
King Abdullah University of Science and Technology	A1C
Ametek Materials Analysis Division	A2
NUS Graduate School for Integrative Sciences & Engineering	A3C
Research Instruments Pte Ltd	A4C/A5/A6
Bruker Singapore	A7/A8
Analytical Technologies Pte Ltd	A9
FEI Company of USA (S.E.A) Pte Ltd	A10/A11
Palico Biotech Pte Ltd	A12
MSITECH (Asia Pacific) Pte Ltd	A13C

B Section	
Exhibitor	Booth No.
Purac Biomaterials	B1C
Agilent Technologies, Inc	B2
ITS Science & Medical Pte Ltd	B3/B4
OS TECH Co., Ltd	B5C
Zugo Photonics Pte Ltd	B6
Wiley-Blackwell	B7C

C Section	
Exhibitor	Booth No.
Metrohm Singapore Pte Ltd	C6C
Leica Microsystems (SEA) Pte Ltd	C7
Cairnhill Metrology Pte Ltd	C8
International Centre for Diffraction Data	C9
aNexus Pte Ltd	C10
Show Management Office	C11C

D Section	
Exhibitor	Booth No.
QIAGEN Singapore Pte Ltd	D1C
DKSH Technology Pte Ltd	D2/D3
Sigma-Aldrich Singapore Pte Ltd	D4
Carl Zeiss South East Asia	D5
JPK Instruments AG	D6
CSM Instruments SA	D7
LMS Technologies Pte Ltd	D8
Crest Technology Pte Ltd	D9
Raith	D10/D11
Korea Bone Bank Co., Ltd	D12
Charlton Technologies Pte Ltd	D13
SYNOTHERM Corporation	D14
NTT Advanced Technology Corporation	D15
DAAD - German Academic Exchange Service	D16
SPECS GmbH	D17C

E Section	
Exhibitor	Booth No.
Veeco Asia Pte Ltd	E1C
Quantum Design	E2

Table Top	
Exhibitor	Booth No.
Taylor & Francis Asia Pacific	BP01
The Institution of Engineers, Singapore	BP02
World Scientific Publishing Co., Pte Ltd	BP03